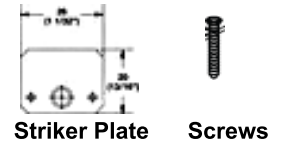


CELLULAR 2.0 CORDLESS SILL MOUNT MAGNET STRIKER PLATE INSTALLATION INSTRUCTIONS

Tools Required:

- Pencil
- Tape Measure
- Phillips screwdriver

Hardware Included:



Shade with Magnets on the Bottom of the Rail

- Cordless shades have a magnet and striker plate combination to ensure the bottom rail sits tight on your window sill.

Step 1:

1. To install the strike plates, locate the magnets on the bottom rail of your shade. They are installed inside the rail, 1 ¼ inches from the end of the either side (**Figure 1**).

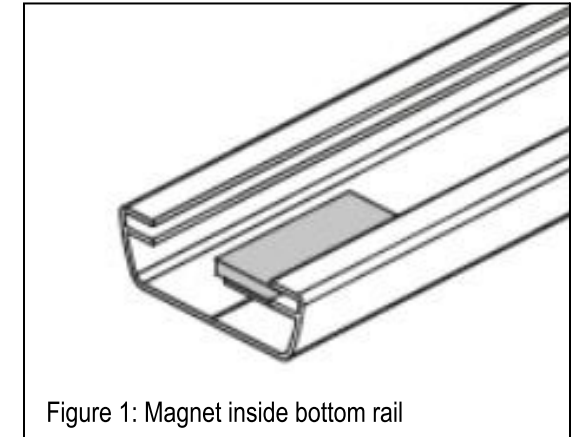


Figure 1: Magnet inside bottom rail

Step 2:

1. With the supplied screw, **attach the striker plate (Figure 2)** to your window sill so that it lines up with the magnet on the shade. The striker plate has a beveled hole for the screw on the top.

Tips & Tricks:

- You may have to pre-drill the hole, depending on your mounting surface. Additional tools will be needed in this case.
- Placing the striker plate on the bottom of the rail could help you find a more precise location of the magnet.

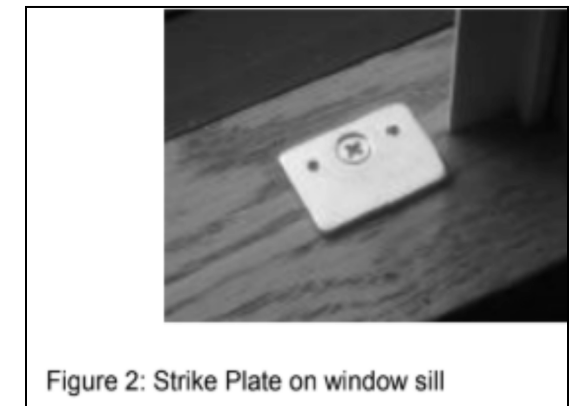


Figure 2: Strike Plate on window sill