

CELLULAR 2.0 MOTORIZED TOP-DOWN/BOTTOM-UP INSTALLATION INSTRUCTIONS (Li-Ion)

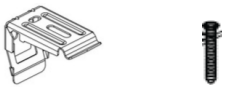
Notes from the Manufacturer

Additional fasteners other than those sent with your shade may be required depending on the mounting surface

- Wallboard and plaster require the use of anchors such as expansion or toggle bolts
- Brick, tile, or stone need special plugs and drill bits
- Remember to always pre-drill holes in wood to avoid splitting
- Contact your local hardware store for fasteners specific to your application


Please do not remove stickers (production order detail OR bracket placement indicators) from the headrail

Shades over 50" wide may require 2 people for installation

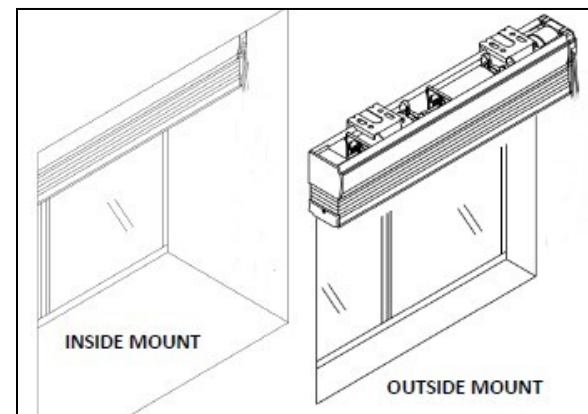
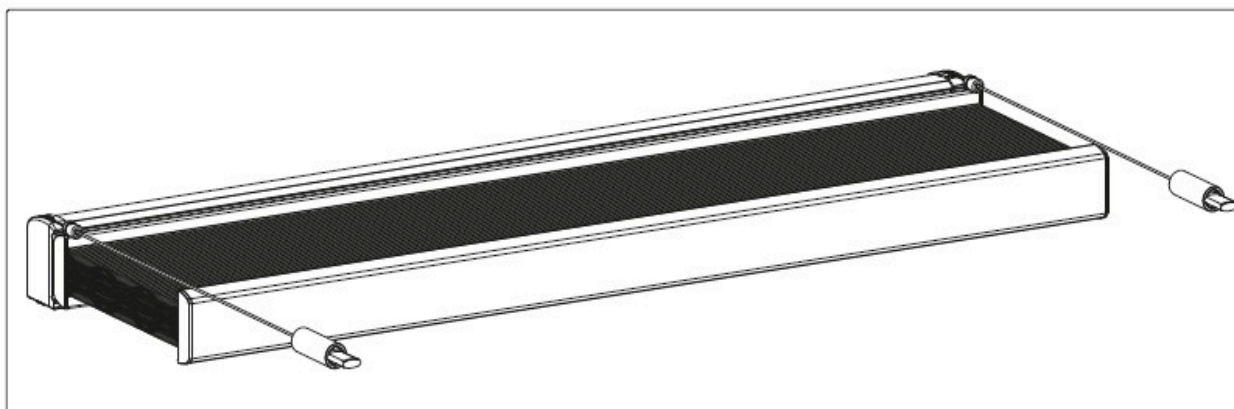
Tools Required:	Hardware Included:
<ul style="list-style-type: none"> ● Pencil ● Tape Measure ● Power Drill, 3/32" bit ● Phillips screwdriver ● Level 	 Brackets #6 Screws

⚠ WARNING

- Young children can strangle in the loop of pull cords, chains and tapes, and cords that operate window coverings.
- To avoid strangulation and entanglement, keep cords out of the reach of young children. Cords may become wrapped around a child's neck
- Move beds, cots and furniture away from window covering cords.
- Do not tie cords together. Make sure cords do not twist together and form a loop.

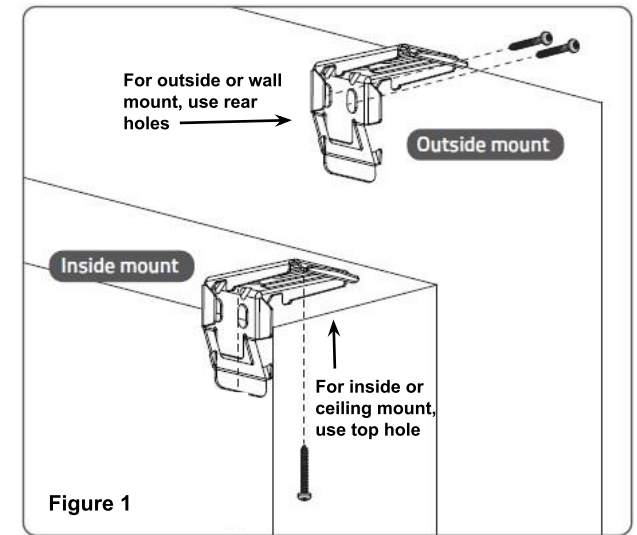


For Shade Widths	# of Brackets
Up to 35"	2
36" - 65"	3
65" - 95"	4
95" - 119"	5
INSIDE MOUNT	1 screw per bracket
OUTSIDE MOUNT	2 screws per bracket



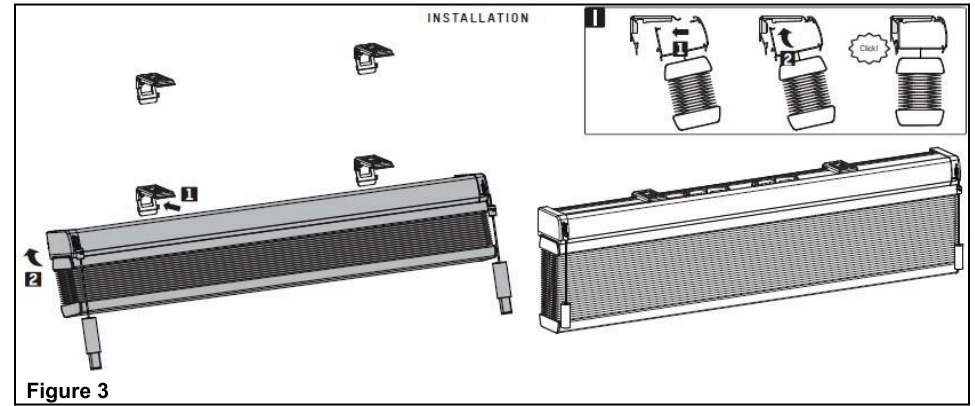
Step 1: INSTALLING THE BRACKETS

1. Shades are shipped with the required number of brackets for proper installation. Bracket placement locations should be indicated by stickers on the headrail. If not...
 - Brackets should not be placed over the operating mechanisms near the ends of the headrail. Instead, loosely place a bracket **2-4 inches** in from each end, over an empty area of the headrail or over the center of a spool (see photo below). Mark the locations with removable tape or otherwise note where the brackets are located.
 - Depending on the width of the shade, additional brackets may be necessary. Space any such brackets approximately evenly between the two end brackets and mark or note the location of the bracket(s).
2. Use the marked or noted bracket locations on the headrail to determine bracket locations within the window frame (inside mount) or on the wall or trim (outside mount).
3. Using a bracket, mark the slotted hole location (for inside mount) or the 2 rear hole locations (for outside mount) with a pencil for each area where a bracket will be installed. **Please note that all brackets must be in line and level for proper installation and operation.**
4. Pre-drill holes at the pencil marks and install each bracket with a single screw in the slotted hole for inside mount, or with a screw in each of the 2 rear holes for outside mount.



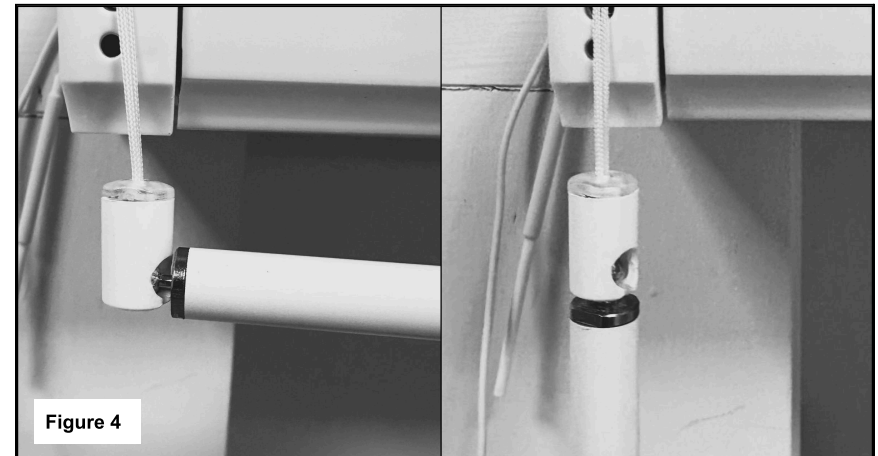
Step 2: INSTALLING THE SHADE

1. Lower the middle rail about an inch. This will help keep the fabric from getting caught between the brackets and the headrail. If there are more than 2 brackets, secure the middle bracket(s) first.
2. Position the headrail with the front lip (1) resting on the top hooks of all the brackets. Make sure that no fabric is pinched between the brackets and the headrail.
3. Push the bottom of the headrail firmly upwards and toward the window until the headrail snaps into place.



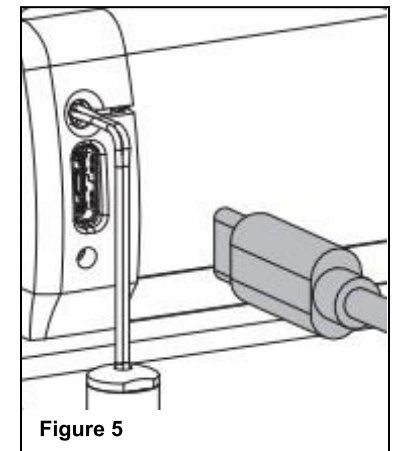
Step 3: INSTALLING THE WANDS (OPTIONAL)

1. Double check that each wand corresponds to the appropriate motor side (stickers should indicate wand side)
2. Make sure each wand adaptor piece is screwed on tightly (do not overtighten)
3. Snap each wand into the pull connector located next to the headrail by pressing the ball into the connector and then dropping the wand down until it clicks into place and is hanging straight down



Step 4: WAKING UP THE SHADE

1. Plug the shade in with a USB-C cable to “wake up” the shade. The shade will not operate without completing this step.
2. Check the indicator light next to the charging port after plugging in the shade. (Motors are not charged before shipping). If light is solid green, proceed to shade operation.
 - a. **If light flashes green, the shade needs to be charged fully before operation with the USB-C cable** (Minimum 6 hours for first charge). The light should turn solid green when the shade is fully charged.



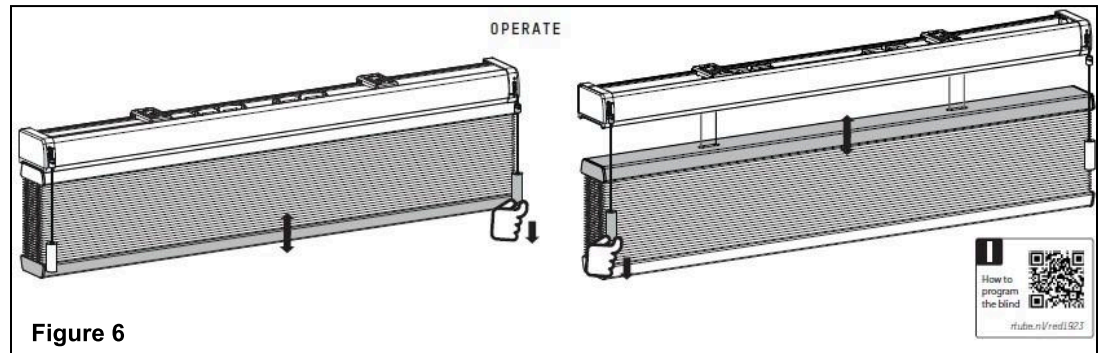
Step 5: SHADE OPERATION

1. Standard Operation: The wand operates in a cycle: 1st pull shade moves downward, 2nd pull shade stops, 3rd pull shade moves upward

Please Note: If you ordered a remote, it will be pre-programmed to operate your shades. Review the instructions included with the remote.

Please Note: If you ordered a Hub, review the instructions included with the Hub.

Please Note: Wands should not be pulled at an angle - doing so may result in the wand disconnecting from the connector, or breaking the connector itself.



Step 6: DOWNLOAD THE APP (OPTIONAL)

1. Download the App using the QR code in the setup guide

REMOVING SHADE FROM THE BRACKETS

1. Insert a screwdriver between the headrail and the bottom back of the bracket.
2. Gently pry the screwdriver to release the bracket from the headrail. Take care not to damage the painted finish of the headrail and the fabric.
3. As you release the brackets, hold the headrail to keep it from falling.

