

CELLULAR 2.0 CORD/CHAIN LOOP TOP-DOWN/BOTTOM-UP INSTALLATION INSTRUCTIONS

Notes from the Manufacturer

Additional fasteners other than those sent with your shade may be required depending on the mounting surface

- Wallboard and plaster require the use of anchors such as expansion or toggle bolts
- Brick, tile, or stone need special plugs and drill bits
- Remember to always pre-drill holes in wood to avoid splitting
- Contact your local hardware store for fasteners specific to your application

Please do not remove stickers (production order detail OR bracket placement indicators) from the headrail

Shades over 50" wide may require 2 people for installation

Tools Required:

- Pencil
- Tape Measure
- Power Drill, 3/32" bit
- Phillips screwdriver
- Level

Hardware Included:



Brackets



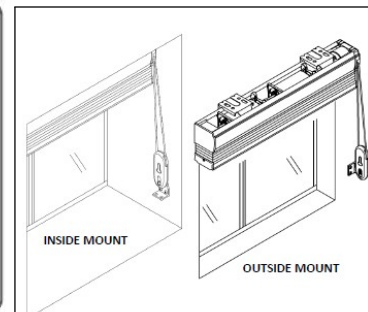
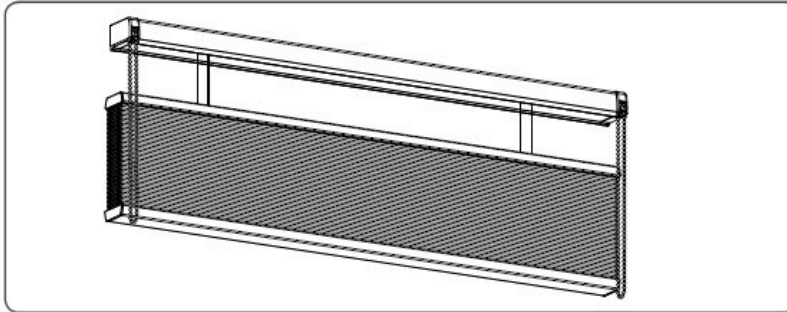
#6 Screws

WARNING

- Young children can strangle in the loop of pull cords, chains and tapes, and cords that operate window coverings.
- To avoid strangulation and entanglement, keep cords out of the reach of young children. Cords may become wrapped around a child's neck
- Move beds, cots and furniture away from window covering cords.
- Do not tie cords together. Make sure cords do not twist together and form a loop.

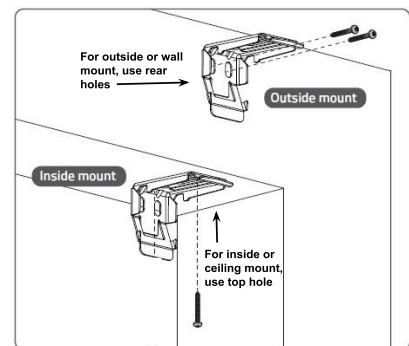


For Shade Widths	# of Brackets
Up to 35"	2
36" - 65"	3
65" - 95"	4
95" - 119"	5
INSIDE MOUNT	1 screw per bracket
OUTSIDE MOUNT	2 screws per bracket



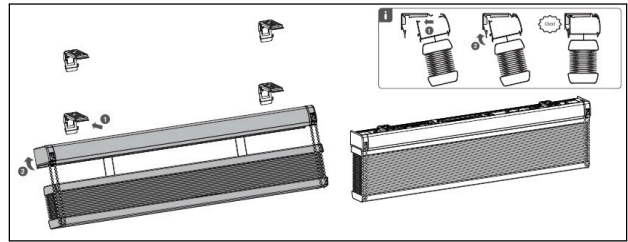
Step 1: INSTALLING THE BRACKETS

- Shades are shipped with the required number of brackets for proper installation. Bracket placement locations should be indicated by stickers on the headrail. If not...
 - Brackets should not be placed over the operating mechanisms near the ends of the headrail. Instead, loosely place a bracket 2-4 inches in from each end, over an empty area of the headrail or over the center of a spool (see photo below). Mark the locations with removable tape or otherwise note where the brackets are located.
 - Depending on the width of the shade, additional brackets may be necessary. Space any such brackets approximately evenly between the two end brackets and mark or note the location of the bracket(s).
- Use the marked or noted bracket locations on the headrail to determine bracket locations within the window frame (inside mount) or on the wall or trim (outside mount).
- Using a bracket, mark the slotted hole location (for inside mount) or the 2 rear hole locations (for outside mount) with a pencil for each area where a bracket will be installed. **Please note that all brackets must be in line and level for proper installation and operation.**
- Pre-drill holes at the pencil marks and install each bracket with a single screw in the slotted hole for inside mount, or with a screw in each of the 2 rear holes for outside mount.



Step 2: INSTALLING THE SHADE:

1. Lower the middle rail and fabric at least an inch from the headrail.
This will help keep the fabric from getting caught between the brackets and the headrail. If there are more than 2 brackets, secure the middle bracket(s) first.
2. Position the headrail with the front lip (1) resting on the top hooks of all the brackets. Make sure that no fabric is pinched between the brackets and the headrail.
3. Push the bottom of the headrail firmly upwards and toward the window until the headrail snaps into place.



Step 3: INSTALLING THE TENSIONERS

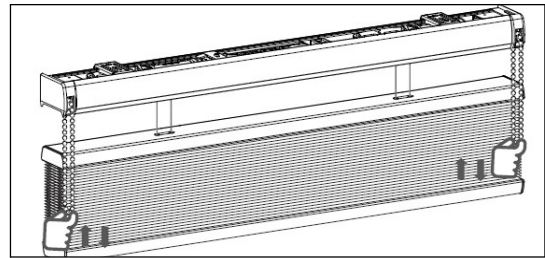
1. Shade is shipped with a tensioner already attached to each chain/cord.
2. See **Tensioner Installation Instructions** included with your purchase to secure the tensioner

PLEASE NOTE: Do NOT cut cord/chain loop

PLEASE NOTE: Tensioner must be installed for shade to operate.

Step 4: SHADE OPERATION

1. Standard Operation: Operate the shade by pulling straight down on one cord/chain loop until reaching the desired shade position. – The right cord/chain loop operates the bottom of the shade and the left cord/chain loop operates the top of the shade (or opposite if you ordered 'reverse operation').
2. To lower the shade, pull the front side of the chain/cord down
3. To raise the shade, pull the back side of the chain/cord down

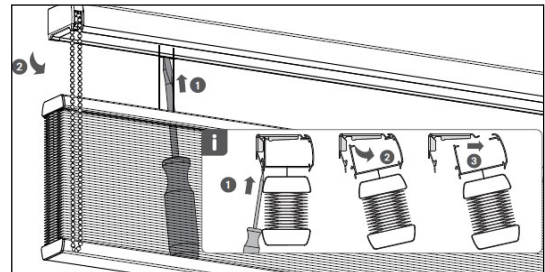


 EcoSmart Shades
Rev 1.0 08.19.2025 3

Please Note: Cord/chain loops should not be pulled at an angle - doing so may result in damage or loss of operation to the shade.

Step 5: REMOVING SHADE FROM THE BRACKETS

1. Insert a screwdriver between the headrail and the bottom back of the bracket.
2. Gently pry the screwdriver to release the bracket from the headrail. Take care not to damage the painted finish of the headrail and the fabric.
3. As you release the brackets, hold the headrail to keep it from falling.



 EcoSmart Shades
Rev 1.0 08.19.2025 4