


CELLULAR 2.0 CORDLESS BOTTOM-UP INSTALLATION INSTRUCTIONS

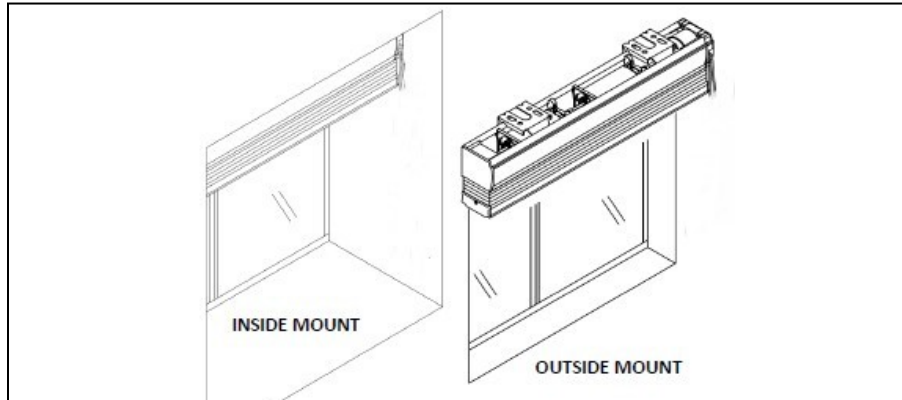
Notes from the Manufacturer

Additional fasteners other than those sent with your shade may be required depending on the mounting surface

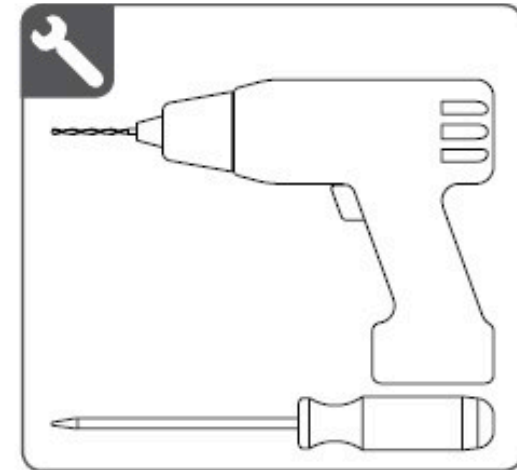
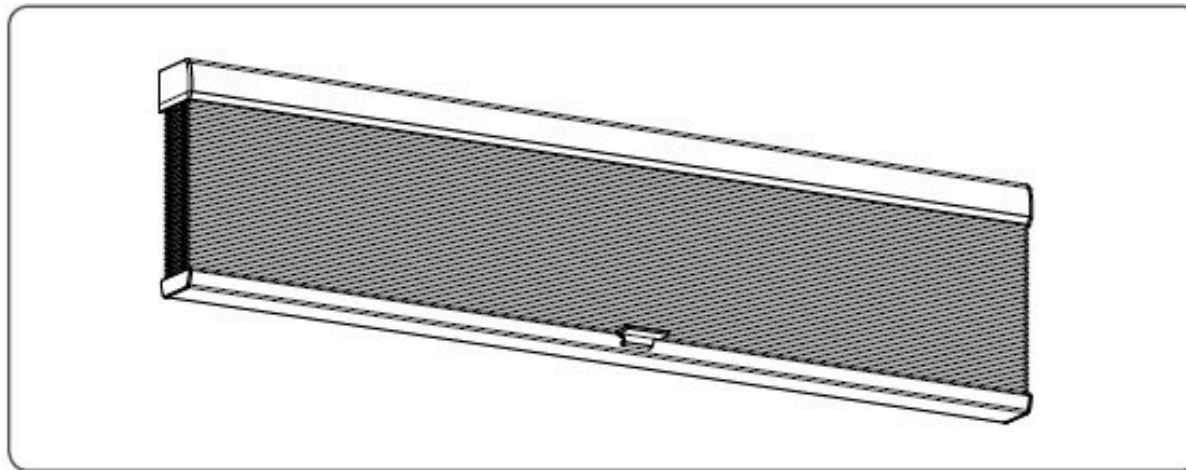
- Wallboard and plaster require the use of anchors such as expansion or toggle bolts
- Brick, tile, or stone need special plugs and drill bits
- Remember to always pre-drill holes in wood to avoid splitting
- Contact your local hardware store for fasteners specific to your application

Please do not remove production sticker from the headrail
Shades over 50" wide may require 2 people for installation

Tools Required:	Hardware Included:
<ul style="list-style-type: none"> ● Pencil ● Tape Measure ● Power Drill, 3/32" bit ● Phillips screwdriver ● Level 	 Brackets #6 Screws



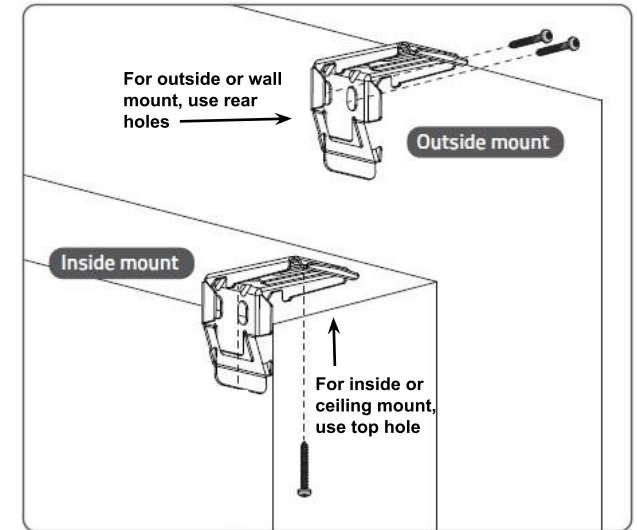
For Shade Widths	# of Brackets
Up to 35"	2
36" - 65"	3
65" - 95"	4
95" - 119"	5
INSIDE MOUNT	1 screw per bracket
OUTSIDE MOUNT	2 screws per bracket



Step 1: INSTALLING THE BRACKETS

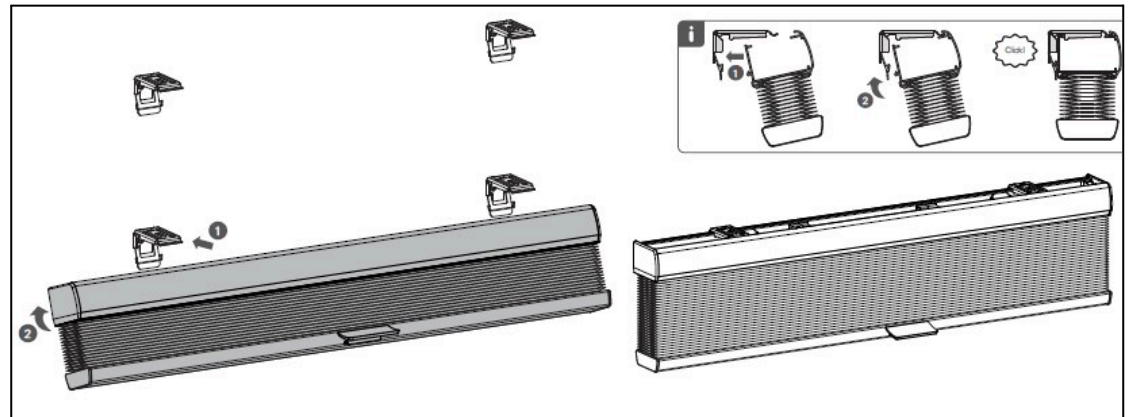
- Shades are shipped with the required number of brackets for proper installation. Bracket placement locations should be indicated by stickers on the headrail. If not...
 - Brackets should not be placed over the operating mechanisms near the ends of the headrail. Instead, loosely place a bracket **2-4 inches** in from each end. Mark the locations with removable tape or otherwise note where the brackets are located.
 - Depending on the width of the shade, additional brackets may be necessary. Space any such brackets approximately evenly between the two end brackets and mark or note the location of the bracket(s).
- Using a bracket, mark the slotted hole location (for inside mount) or the 2 rear hole locations (for outside mount) with a pencil for each area where a bracket will be installed.

Please Note: All brackets must be in line and level for proper installation and operation.
- Pre-drill holes at the pencil marks and install each bracket with a single screw in the slotted hole for inside mount, or with a screw in each of the 2 rear holes for outside mount.



Step 2: INSTALLING THE SHADE:

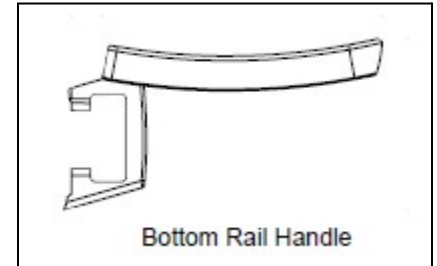
- Position the headrail with the front lip (1) resting on the top hooks of all the brackets. Make sure that no fabric is pinched between the brackets and the headrail.
- Push the bottom of the headrail firmly upwards and toward the window until the headrail snaps into place.



Step 3: INSTALLING THE HANDLE(S)

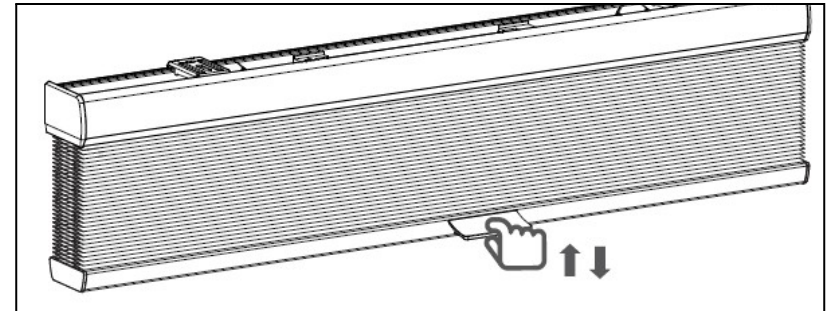
1. Each handle slides on over the handle connector from right to left. Push left until the handle is fully tightened.

Please Note: Shades over 43" wide will require 2 handles to operate properly



Step 4: SHADE OPERATION

1. Pull straight down on handle(s) and set to the desired position.
2. Shade is self-leveling- Grasp one side while raising the other side until the shade is level.



Step 5: REMOVING SHADE FROM THE BRACKETS

1. Insert a screwdriver between the headrail and the bottom back of the bracket.
2. Gently pry the screwdriver to release the bracket from the headrail. Take care not to damage the painted finish of the headrail and the fabric.
3. As you release the brackets, hold the headrail to keep it from falling.

